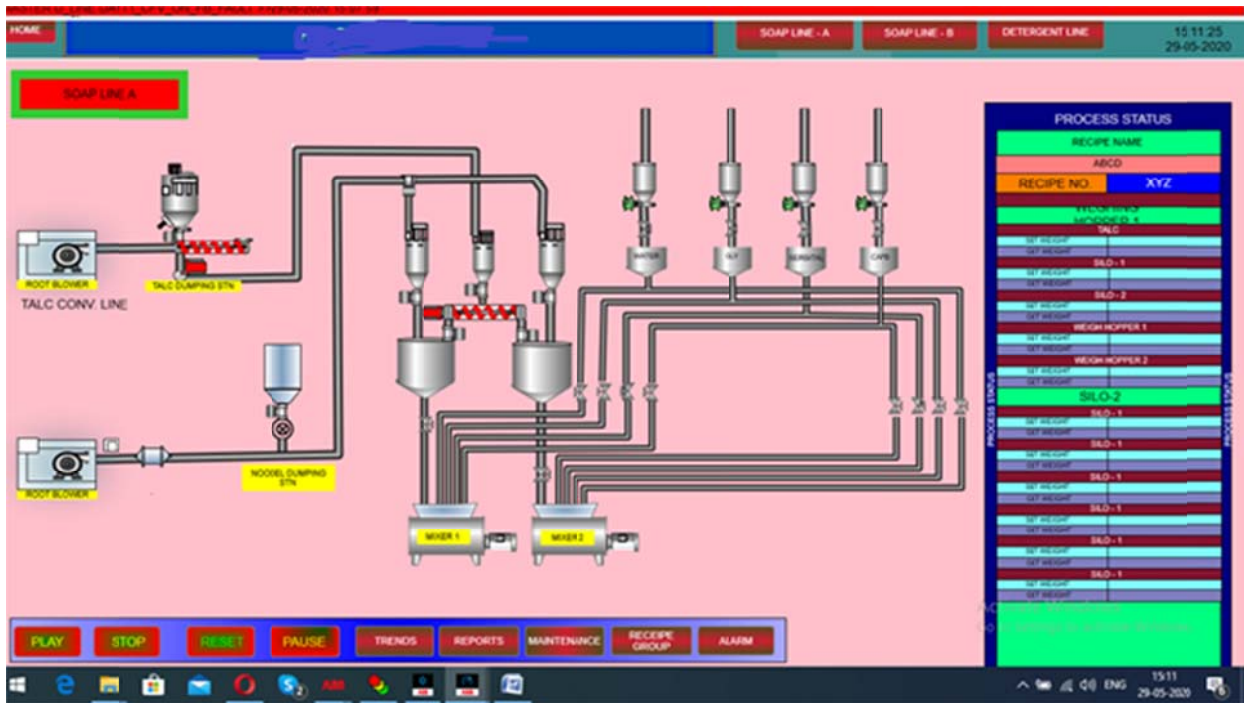


#

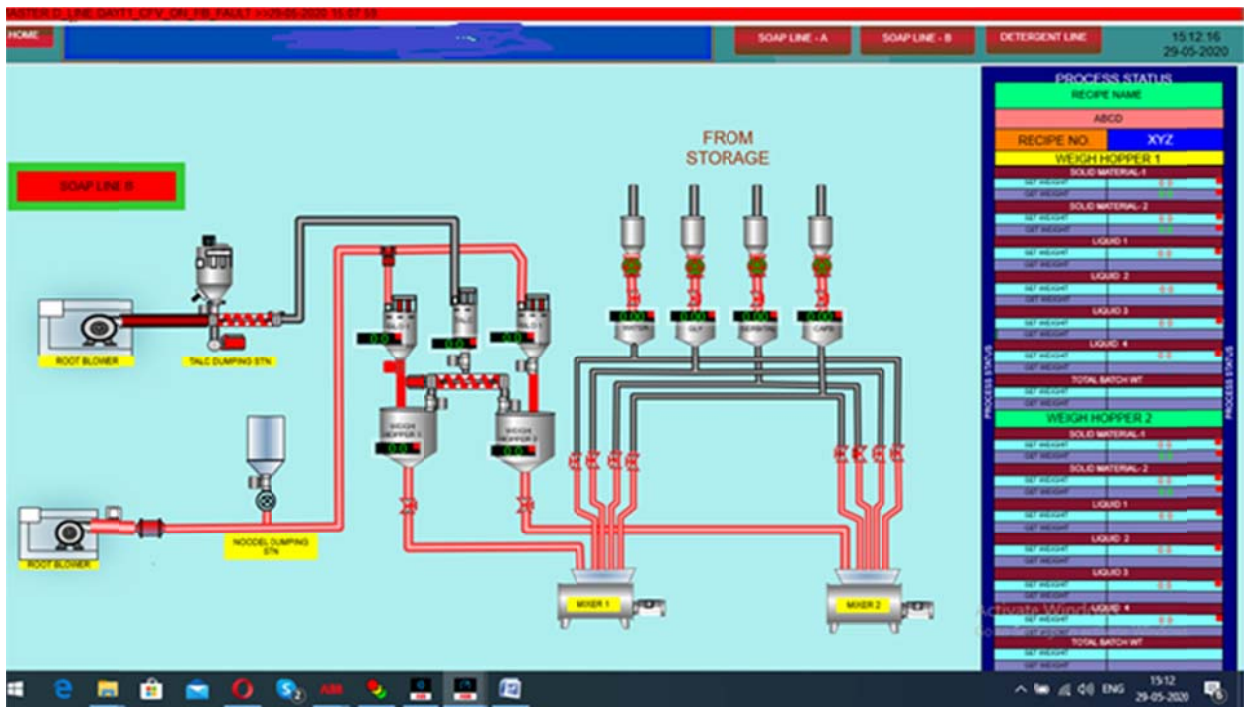
#

#

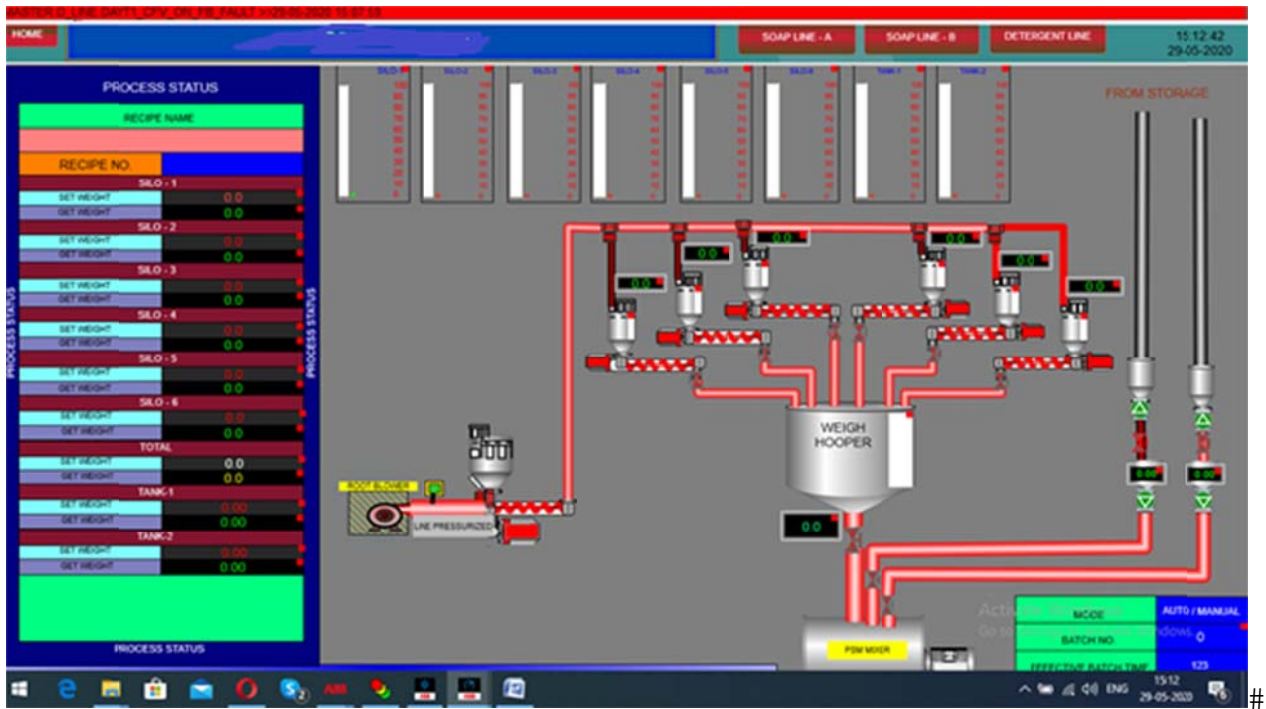


#

#

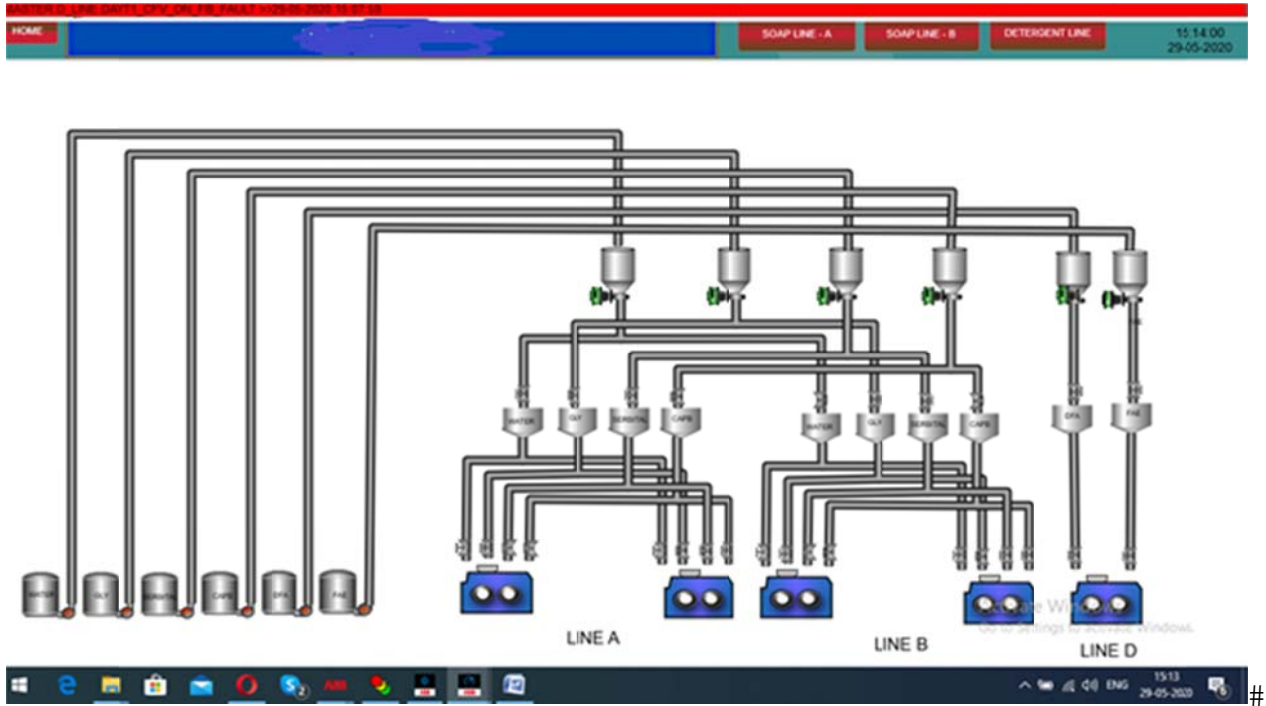


#



#

#



#

STARTED LINE SHOTS COPY ON THE FAULT 10:29:50 2020 10 07 03

HOME SOAP LINE - A SOAP LINE - B DETERGENT LINE 15:14:38 29-05-2020

Batch no: archive value

Set Weight Get Weight Weighing Start Weighing End

slot1 archive value archive value archive time archive time

slot2 archive value archive value

slot3

Refresh search

File...

Save report as

Save archive

Selected values

read

write

All values

read

write

Print

Export

Activate Window

#

STARTED LINE SHOTS COPY ON THE FAULT 10:29:50 2020 10 07 03

HOME SOAP LINE - A SOAP LINE - B DETERGENT LINE 15:15:38 29-05-2020

PROCESS STATUS	
RECIPE NAME	
ABC0	
RECIPE NO	XYZ
SOLID MATERIAL-1	
SET WEIGHT	
WEIGHT	
SOLID MATERIAL-2	
SET WEIGHT	
WEIGHT	
LIQUID 1	
SET WEIGHT	
WEIGHT	
LIQUID 2	
SET WEIGHT	
WEIGHT	
LIQUID 3	
SET WEIGHT	
WEIGHT	
TOTAL BATCH WT	
SET WEIGHT	
WEIGHT	
SOLID MATERIAL-1	
SET WEIGHT	
WEIGHT	
SOLID MATERIAL-2	
SET WEIGHT	
WEIGHT	
LIQUID 1	
SET WEIGHT	
WEIGHT	
LIQUID 2	
SET WEIGHT	
WEIGHT	
LIQUID 3	
SET WEIGHT	
WEIGHT	
LIQUID 4	
SET WEIGHT	
WEIGHT	
TOTAL BATCH WT	
SET WEIGHT	
WEIGHT	

Activate Window

#

#

Filter 7(1) [T,Rel 29d,0h,0m,0s] Filter Save Import Export Delete Stop

Mar...	Time received	Time cleared	Time acknowle...	Identification	Total
●	>>29-05-2020			D LINE DAY TANK 1 DISCHARGE VALVE: OPEN /FB / FAULT	1 min 1

- Acknowledge
- Acknowledge ps
- Acknowl. All
- Confirm acknowledge
- Confirm acknowledge ps
- Confirm acknowledge ps for noise
- Confirm acknowledge ps

Comment: [Empty] Print Open help Activate Windows Go to Settings to activate Windows.